

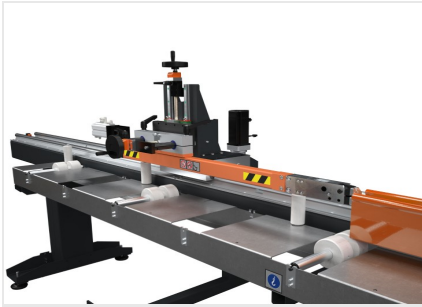


TKE 800

Cutting Centres



A semiautomatic version cutting centre with 2 controlled axes, manual loading/unloading on opposite sides of the machine, with front CNC blade, dedicated to cutting Aluminium and PVC profiles and light alloys in general. It performs predefined and optimised cutting lists in automatic. Designed to execute cutting at angles ranging from 45° to 135° or from 22°30' to 157°30'. Configurable with horizontal or vertical drilling units that can be personalised for specific automatic machining.



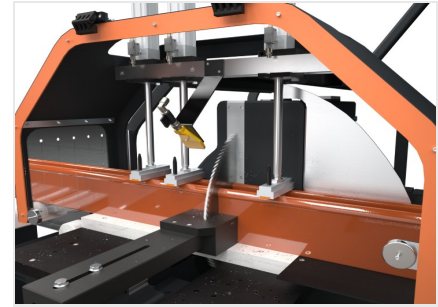
Bar feeder

The extremely fast and precise numerical control system (CNC) for bar positioning includes a gripper for clamping the profile and the possibility to manually adjust the position. The movement is transmitted on a rack through a low backlash gearbox to maintain the high standards of precision guaranteed by the CNC. The feeder slides on case-hardened and tempered bars through linear bushings.



Unloading roller conveyor

TKE 800 loads profiles on the left roller conveyor and unloads them from the right roller conveyor. The in-line machining makes it possible to limit the transfer of the profile on the working bench and to reduce cycle times.



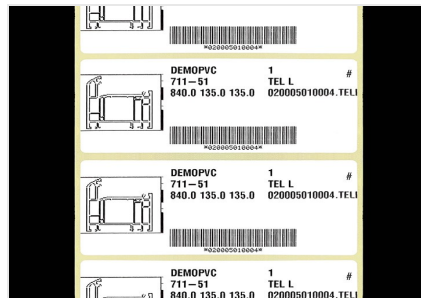
Cutting module

The cutting module consists of a single-head cutting off machine with hydro-pneumatic blade feed. It is provided with a 550 mm blade featuring wide cutting range: from 45° to 135° (from 22°30' to 157°30' optional). Setting of the cutting angles is fully automatic and is handled by the CNC.



Control

The operator interface with colour LCD screen is equipped with network connection and USB ports. It also features a built-in control panel, keyboard and mouse. Possibility to install the label printer. The control is managed by the Windows operating system under which the Job and Blade software packages are installed: Job is designed for the job editor and optimizing cutting lists; Blade, installed alongside Job, controls the machine's operations and manages the machining processes.



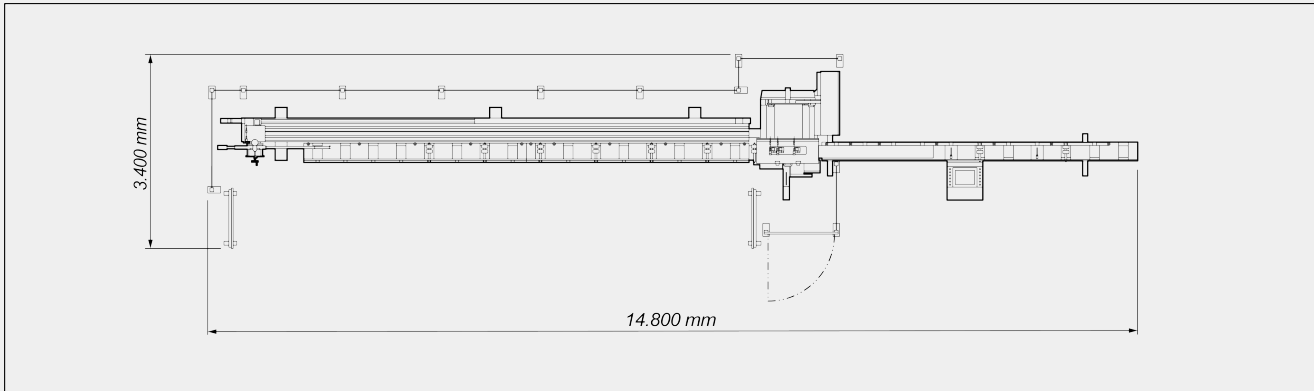
Provision for printer (Optional)

The machine is provisioned for the installation of a printer that can be selected from compatible models. The set-up includes enabling of the print function and mechanical and electrical presetting for connection to the printer.



Label printer (Optional)

The industrial label printer allows each cut profile to be identified with identifying features from the cutting list. In addition, barcode printing enables easy identification of the profile itself, which is particularly useful for subsequent machining steps on Machining Centres or assisted assembly lines.

**TKE 800 / CUTTING CENTRES****LAYOUT**

The overall dimensions may vary depending on the product configuration.

AXIS STROKES

| | |
|--|------------------------------|
| U AXIS (feeder) (mm) | 7.500 |
| B AXIS (angle of blade) (according to version) | 45° ÷ 135°; 22°30' ÷ 157°30' |

LOADING UNIT: PROFILE POSITIONING

| | |
|---|---------|
| Infeed roller conveyor | ● |
| Max. loadable profile length (mm) | 6.850 |
| Max. loadable profile width (mm) | 190 |
| Theoretical minimum cutting length (mm) | 0 |
| Minimum machinable profile section (mm) | 30 x 30 |

CUTTING UNIT

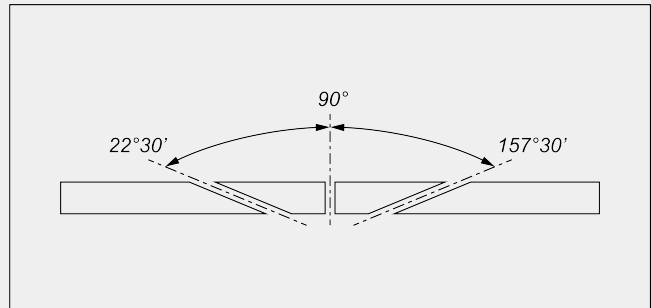
| | |
|--|---------|
| Widia blade (mm) | Ø = 550 |
| Hydro-pneumatic blade feed | ● |
| Pre-set for swarf exhauster | ● |
| Power rating (kW), "three-phase" blade drive motor | 3 |
| Minimal oil diffusion lubrication system | ● |



CUTTING DIAGRAM



CUTTING UNIT TILTING



Electronic adjustment of intermediate angles

UNLOADING UNIT:

Unloading on roller conveyor on opposite side of loading side ●

SAFETY DEVICES AND PROTECTIONS

Pneumatically-controlled integral guard for cutting area ●

WORKPIECE LOCKING

- Vertical pneumatic vices 3
- Pair of horizontal pneumatic vices with pressure reducer plus pressure gauge ●
- Vice pressure reduction with pressure gauge ●

Included ● Available ○

Emmegi S.p.A.
 Via delle Industrie, 2
 20044 - Arese (MI)
 ITALY

Tel 39 02356961
 P.IVA 01978870366
 info@tekna.it
 www.tekna.it

The right to make technical alterations is reserved.