



TKE 552

Twin Head Cutting-Off Machines



Electronic twin-head cutting-off machine with automatic traverse of the moving cutting head powered by brushless motor with numerical control system. Pneumatic tilting of cutting units from 90° to 22°30' (outward) in two fixed positions or with optional mechanical adjustment system for intermediate angles. Hydro-pneumatic blade feed.



Profile clamping

The profile to be cut is clamped by two horizontal hold-down devices with extreme precision and in absolute safety. For vertical cuts, particularly for special cuts, the machine can be equipped with a patented system of horizontal hold-down devices. When two considerable lengths are cut, the profile is supported by a manually positioned intermediate support.



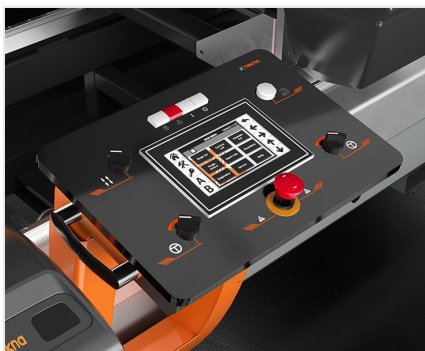
Head guards

The machining zone is protected by two automatically positioned local guards installed on the cutting units. The guards are made of scratch-proof polycarbonate and they are opened/closed automatically by a pneumatic cylinder at the appropriate points of the cutting cycle.



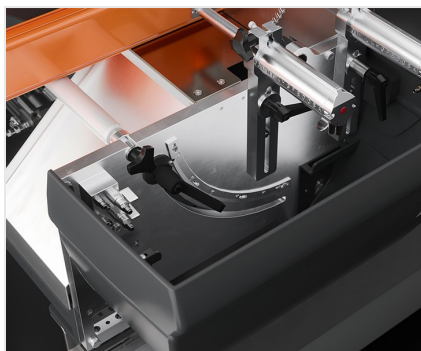
Load and unload

The cutting-off machine is equipped with a roller conveyor on a mobile head for standard loading and unloading procedures. The roller conveyor can be optionally fitted with an extra vice to immobilise the residual profile and an electronic machined profile thickness meter for automatic cutting positions correction in accordance with the real profile dimensions, with the associated surface treatments tolerance.



Control

The control panel, installed on a support sliding on bearings along the front side of the machine, allows correct mobile heads positioning in accordance with the required cutting schedule. The interface uses a 7" touch-screen and fully personalised software and is packed with bespoke functions that are unique to this machine. The machining cycle can be optimised by creating cutting lists, thereby reducing scrap and cycle times for parts loading-unloading.



Intermediate tilting adjustment (Optional)

The standard version allows performing cuts at 45° and 22°30' by mechanically presetting the end stops. An optional system is provided for tilting adjustment of cutting units to any intermediate angles, which is particularly useful when performing out-of-square cuts.



Additional vice for profile support on mobile head roller conveyor (Optional)

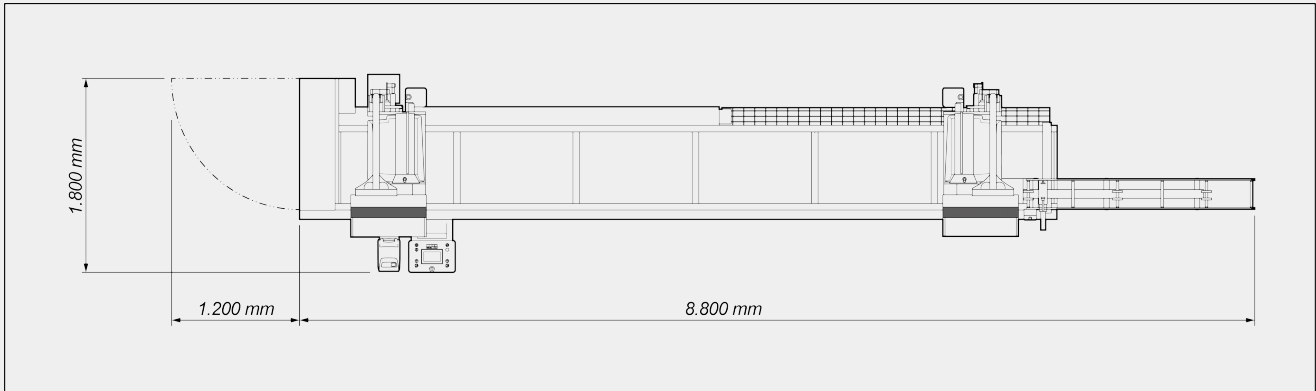
After each cut, the remaining profile short cut tends to fall on the roller conveyor, with the risk of hitting against the blade when the cut-off phase is still in progress. This movement may damage both the workpiece itself and the one just cut. The additional vice installed on the roller conveyor prevents this problem by keeping the profile locked for the entire duration of the cut-off cycle.





TKE 552 / TWIN HEAD CUTTING-OFF MACHINES

LAYOUT



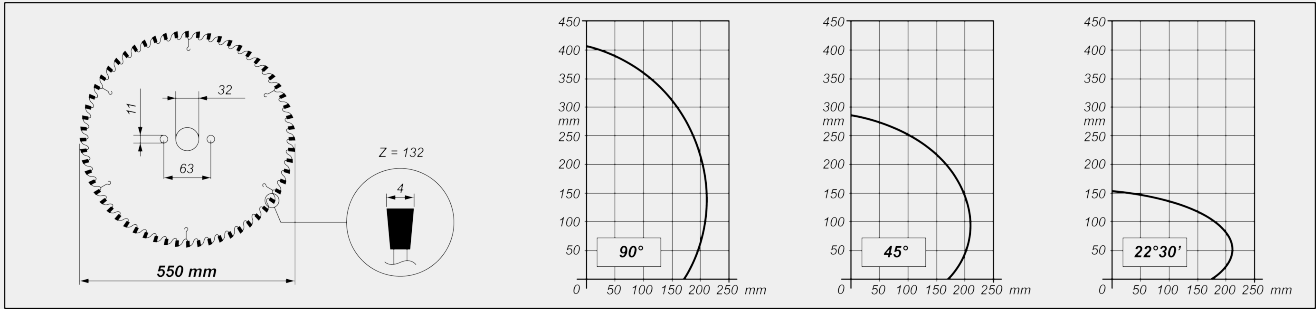
The overall dimensions may vary depending on the product configuration.

MACHINE CHARACTERISTICS

Electronic control of the X axis	●
X axis positioning speed (m/min)	25
Mobile head position reading with absolute magnetic strip direct measuring system	●
Pneumatic head tilting	●
External tilting	45° / 22°30'
Mechanic adjustment of intermediate angles with digital display of the position	○
Hydropneumatic blade feed	●
Adjustable blade feed rate	●
Effective cut, according to model (mm)	5.000
Cemented carbide blade	2
Blade diameter (mm)	550
Blade motor power (kW)	2,2
Electronic profile thickness gauge	○



CUTTING DIAGRAM



CUTTING UNIT TILTING



Mechanical adjustment of intermediate angles

SAFETY DEVICES AND PROTECTIONS

Pneumatically-operated front local protection

PROFILE POSITIONING AND CLAMPING

- Pair of horizontal pneumatic vices with "low pressure" device
- Pair of horizontal vertical vices
- Pair of additional horizontal vices
- Manually positioned profile intermediate supports **1**
- Roller conveyor on mobile head (mm) **2.000**
- Additional vice for profile support on roller conveyor
- Optional support surface on fixed head



LUBRICATION AND SUCTION

Micro-mist lubrication system with water and oil emulsion	<input checked="" type="radio"/>
Preparation for automatic start-up of external exhauster	<input checked="" type="radio"/>
Swarf and short cuts extractable drawers without scraper system for swarf removal	6 <input type="radio"/>
Dredging system for swarf discharge	<input type="radio"/>
Swarf and short cuts extractable drawers with scraper system for swarf removal	2 <input type="radio"/>

FUNCTIONS

Perform single cuts	<input checked="" type="radio"/>
Execution of intermediate angles cuts	<input type="radio"/>
Execution of cyclical cuts from cutting lists	<input type="radio"/>
Special cut function PRO (longer, shorter, chamfered and wedge cut)	<input type="radio"/>
Semi-automatic cut function SLICE (thrust cut)	<input type="radio"/>
Cutting lists import	<input type="radio"/>

Included ● Available ○