



# **TKE 355-350- 345 PA**

Single Head Cutting-Off  
Machines

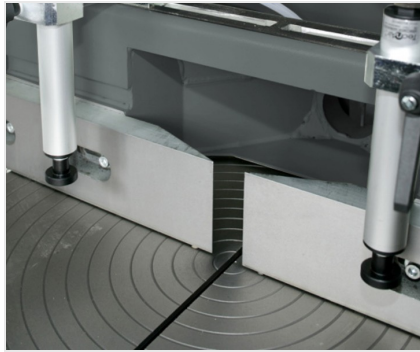


Single head, rising blade cutting-off machine, with left loading side, for cutting at angular settings from 20° to the left to 20° to the right as intermediate angles.



### Blade and roller conveyor

The cutting-off machine can be equipped with 450, 500 or 550 mm cemented carbide blades, which, mounted on a pneumatic feed system, make it ideal for cutting profiles with multiple sections.



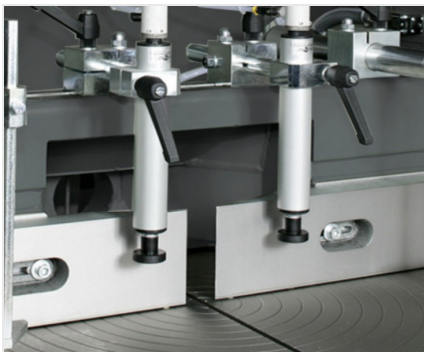
### Cutting zone

To enable maximum utilization of the cutting capacity, the cutting zone features a strong structure designed to ensure maximum rigidity. This is with regard to both the horizontal plane and the vertical square.



### Control

The control console allows user-friendly and intuitive machine operation. Machine management control is complemented by the vice pressure adjustment system (optional) and the ability to adjust the blade output speed.



### Vices

Thanks to the technical solutions adopted, the horizontal and vertical vices ensure the utmost rigidity in workpiece clamping as well as rapid repositioning of the vices. Such characteristic allows the use of this machine in window/door manufacture and for cutting industrial profiles.





**TKE 355-350-345 PA / SINGLE HEAD CUTTING-OFF MACHINES**

**BLADE**

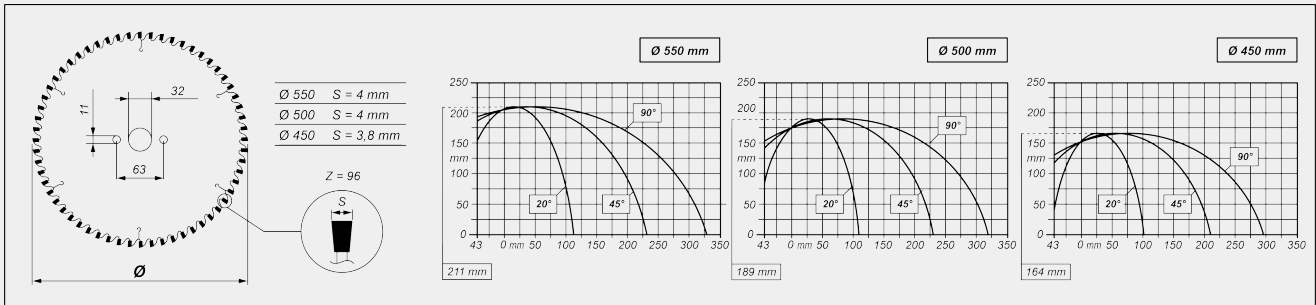
Made of Widia (based on model) (mm)

Ø = 450 ; Ø = 500 ; Ø = 550

**BLADE FEED**

Hydro-pneumatic

**CUTTING DIAGRAM**



**CUTTING UNIT TILTING**



Mechanical adjustment of intermediate angles

**CUTTING AREA PROTECTION**

Full guard manually operated

Automatic opening of the blade protection



**LUBRICATION SYSTEM**

Water spray-mist with oil emulsion or minimal diffusion oil spray-mist (depending on version) ●

**WORKPIECE LOCKING**

Pair of pneumatic vertical and horizontal vices ●

**MOTOR**

Three-phase brakemotor ●

Brake intervention time (s) 10

Power (kW) 4

Included ● Available ○