

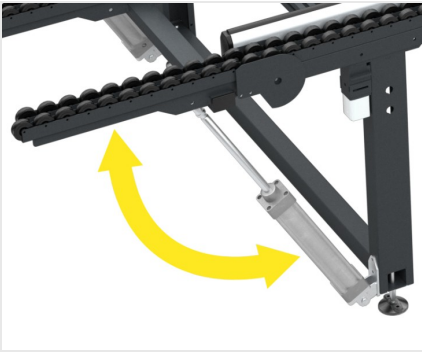


Link

Manual Assembly Benches



Roller bench designed for connecting workstations and allowing extremely easy frame transfer, even in case of heavy pieces.



Tilting roller conveyor

The surface is composed of rows of rollers coated with soft PVC; the two ends of the roller conveyor on the right and left can be tilted by means of pneumatic cylinders (optional).



Roller bench

The support surface is formed of a large number of rollers with anti-scratch rubber coating to ensure high speed handling of the frame.



Surface in soft nonslip PVC

The machine can be optionally equipped with a soft PVC support surface. The soft PVC support surface provides a high friction coefficient, which is a valuable asset during assembly procedures.



Adjustable feet

Height adjustable feet to ensure the work bench can be positioned at the required height and perfectly flush with the other products in the Dynamic Line. The feet also have holes so they can be anchored to the floor.





LINK / MANUAL ASSEMBLY BENCHES

CHARACTERISTICS

Length (based on model) (mm)	1.500 ; 2.000 ; 2.500 ; 3.000
Width (mm)	1.600
Maximum load at 400 mm on the tipping end (kg)	250
Number of rows of rollers installed	4
LH hinged roller conveyor	<input type="radio"/>
RH hinged roller conveyor	<input type="radio"/>
Work bench	<input type="radio"/>
Air consumption (with retractable bench) (NI/cycle)	26

Included ● Available ○