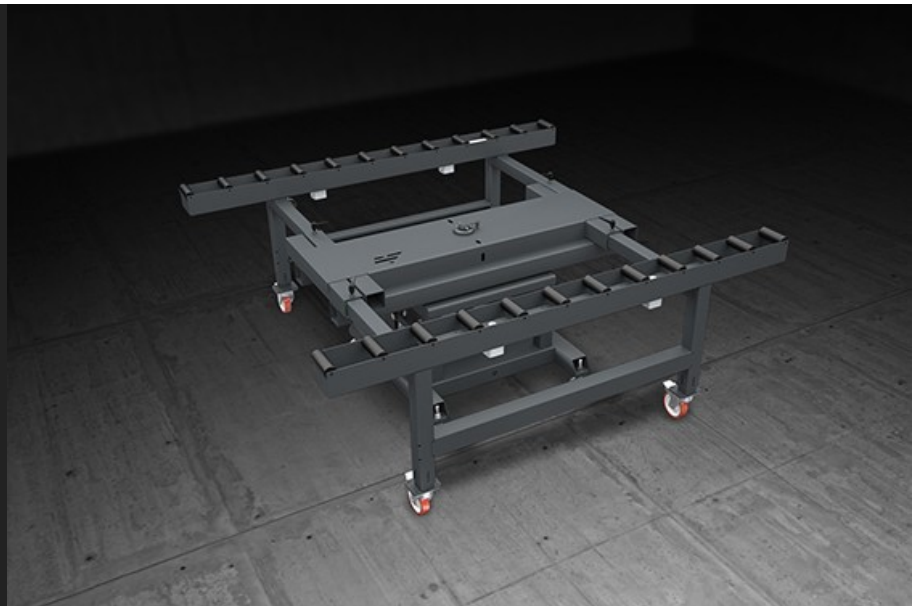




Spin Bench

Manual Assembly Benches



Modular bench for assembly and in-line handling of curtain wall frames. It is provided with two roller tracks covered with soft PVC sheathing; the distance between the two tracks is adjustable according to the width of the curtain wall section. A pneumatically operated system allows clamping the rollers during the work phases. The entire bench can be rotated by 360° in order to facilitate the assembly and sealing of the curtain wall; the angular position is clamped pneumatically.



Rotation

The entire bench can rotate 360° around the central structure to facilitate cell assembly and sealing operations. The angular position is locked with pneumatic control, by manual valve.



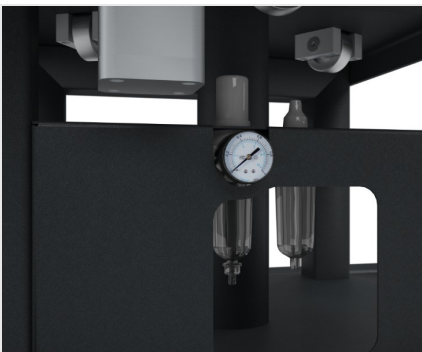
Extension

SPIN BENCH can be extended from 1,000 mm to 2,500 mm. Once the position of the rows has been determined, a number of locking handles allow the roller conveyor to be fixed in place, providing great versatility.



Roller bench

Façade cells are supported on 160mm-wide roller rows covered with a soft PVC sheath, thus minimizing the strain on the operator.



Pneumatic control

A pneumatic system controlled by manual valve allows the operator to control the blocking of the rotation of some rollers on each of the two rows; this makes assembly operations on the cell possible.



**SPIN BENCH / MANUAL ASSEMBLY BENCHES****WORK BENCHES**

Roller bench length (mm)	2.500
Roller bench min. width (mm)	1.000
Max. roller bench width with movable centre support (mm)	2.500
Min./max. frame dimension (mm)	500 x 1.000 ; 2.400 x 3.800

CHARACTERISTICS

Pneumatic roller locking system	●
Roller bench extendible in width with movable centre support	●
Height (mm)	940 ÷ 1.000
Air consumption (NI/min)	5
Load capacity (kg)	450
Weight (kg)	460

Included ● Available ○